



Tablet 6000

Android 2.1

7" Touch screen

User Manual

Contents

1. Accessories
2. Getting Started
 - 2.1 Appearance
 - 2.2 Using the tablet
 - 2.3 Toolbar
 - 2.4 Manage your desktop
3. Settings
 - 3.1 Wireless & networks
 - 3.2 Sound & display
 - 3.3 Location & security
 - 3.4 Applications
 - 3.5 Accounts & sync
 - 3.6 Privacy
 - 3.7 SD card & device storage
 - 3.8 Search
 - 3.9 Language & keyboard
 - 3.10 Date & time
 - 3.11 Calibration
 - 3.12 About Device
4. Using MicroSD Card
5. Using HDMI
6. Troubleshooting

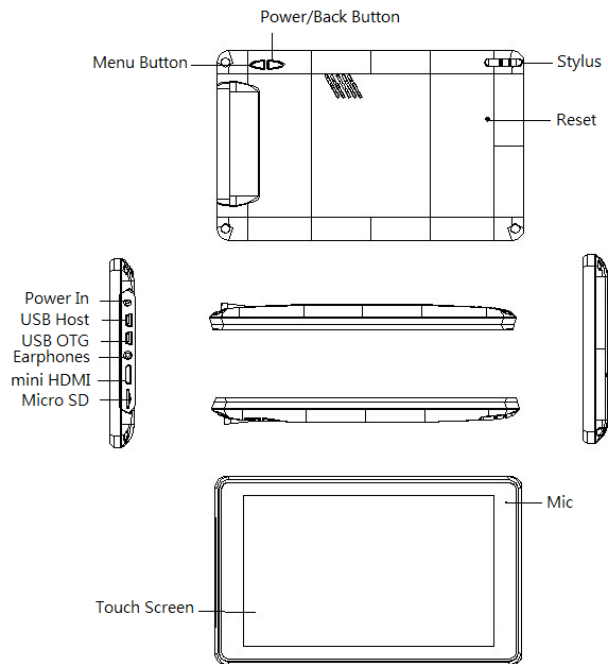
1. Accessories

Inside the *disgo Tablet 6000* packaging, you will find:

- 1 x Tablet with stylus,
- 1 x Power adapter
- 1 x 2GB MicroSD card
- 1 x User manual
- 1 x OTG cable
- 1 x USB to mini USB cable
- 1 x Tablet case

2. Getting Started

2.1 Appearance



Button descriptions

- Power** When the tablet is switched off, press and hold this button to turn it on. When the tablet is turned on, this acts as a *Back* (Previous page/Exit application) button for the tablet.
- Menu** Several options are listed in this Menu. Press this button to have the menu bar displayed.
- Reset** Use this button to force a shutdown of the device. If the device freezes it may require a reset.

IMPORTANT

- 1) For information on inserting/removing the Micro SD card, please refer to section 4 – Using Micro SD card. Failure to do so may result in damage to the memory card.
- 2) Some applications run in a full screen mode. The icons on the toolbar will not be displayed. Please use the Power button on the back of the tablet in these circumstances.

2.2 Using the tablet

When the tablet is turned on for the first time, you will need to calibrate the touch screen. Please follow the procedures on the screen to complete this process. You will then return to the desktop.

To use the pre-installed applications on the home page, simply touch the relevant icon.

To access all other applications, simply drag the desktop to the left, i.e. the applications are to the right hand side of the desktop.

Touch and hold for two seconds and then drag the application to the far right of the screen in order to open a new application.

Touch and hold one of the applications until a dustbin icon appears which you can use to remove the application shortcut.

2.3 Toolbar

Home	Touch on <i>Home</i> to return to the desktop. This action will not close the applications that are open.
SD card indicator	Displays the status of the MicroSD card upon insertion or removal.
Orientation icon	Manually change the screen orientation
Wi-Fi indicator	Displays the connection status of the Wi-Fi.
Battery indicator	Shows the charge status of the battery
Time indicator	Shows current time.
Volume Down	Decreases volume.
Volume Up	Increases volume.
Menu	Shows menu of the application on the bottom of the screen.
Back	Returns to previously viewed screen



2.4 Manage your desktop

Press the *Home* icon on the top left of your toolbar to return to the main desktop.

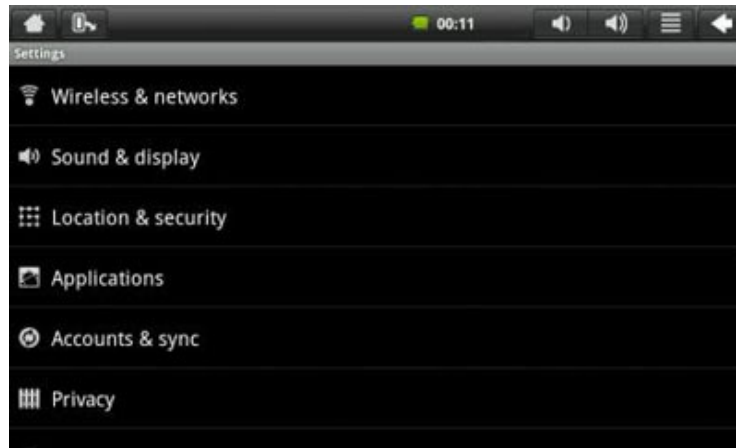
In order to delete an icon or widget from the desktop, touch and hold the icon / widget until the arrow on the right hand side becomes a dustbin icon. Drag the icon / widget onto the dustbin until the icon / widget turns red. Release the icon / widget to delete.

Note: The items being deleted are shortcuts only and are not actual applications. These applications can be accessed again as noted in section 2.2

To insert a new or previously deleted icon / widget onto the current desktop, click *Menu* and choose *Add Application/Widget*.

3. Settings

Touch the *Settings* icon  to enter this menu.



Settings page

Note: The settings, which are compatible with this device, are noted in this chapter. Further setting options may appear on the device but may not be compatible.

3.1 Wireless & networks

- | | |
|----------------|---|
| Wi-Fi | Switch on Wi-Fi functionality |
| Wi-Fi settings | By enabling <i>Network notification</i> , the networks will be refreshed and a list of available connections will be shown. Choose <i>Menu</i> to enter advanced options. |
| Use static IP | This function allows you to enter the IP address of your wireless access point. |

IMPORTANT

- Upon exiting the *Advanced* page, press *Menu* → *Save* to save all changes.
- If a network is secured and requires an access key, the tablet will automatically detect the encryption details and will request that you enter the key (password).

3.2 Sound & display

Silent mode	Mutes the device.
Media volume	Adjusts the volume for music and videos
Audible selection	Choose to play sound upon screen selection.
SD card notifications	Choose to play sound for MicroSD card notifications. This function depends on applications that require MicroSD card notification.
Animation	Selects page change effects; fade, etc.
Brightness	Adjusts the brightness of the screen.
Screen timeout	Adjusts the delay before the screen turns off.

3.3 Location & security

Using wireless networks	Please be aware of applications (such as Maps) which access the wireless network. If you wish to use these applications, please accept the agreement onscreen.
Visible passwords	Password characters will be shown when you are typing. Only the last character will be visible, others will be masked.

3.4 Applications

Unknown sources	Allows installation of non-Market (Android Market) applications. Please read carefully any agreement upon downloading.
Manage applications	Manage and remove installed applications. Please note that some applications may cause the system to freeze during installation or removal. This is due to a memory handling issue of the application and the device. It is suggested to clear the cache before removing the application. The "Clear Cache" option in the 'Remove application' page. If the system freezes while installing or removing, please press the reset key on the back side of the tablet and turn on the device again.
Running services	View and control currently running applications

3.5 Accounts & sync

Add account	You may add your google email account and synchronize the account in the google server. For google server details, please use <i>m.google.com</i> .
-------------	---

3.6 Privacy

Factory data reset This erases all data to factory default. Powering on the tablet will take longer after a reset. All applications installed and personal settings will be erased. Please acknowledge all warnings when resetting.

3.7 SD card & device storage

Total space Shows total capacity of MicroSD card.
Available space Shows available space of MicroSD card.

Unmount SD card This option is used for safe removal of the MicroSD card. Please see Section 4 – ‘Using MicroSD card’ for further information.

Available space Shows available space on device

3.8 Search

Google search settings Shows suggestions from Google as you type.

Searchable items Choose what to search on the device.

Clear search shortcuts Clear shortcuts to recently chosen search results.

3.9 Language & keyboard

Select locale Select language and region.

Android keyboard Onscreen keyboard settings.

User dictionary Add and remove words from user dictionary. You can add words by pressing the “Menu” icon.

3.10 Date & time

Set date	Set date on device.
Select time zone	Select time zone on device
Set time	Set time on device.
Use 24-hour format	Use 24-hour format or am / pm mode.
Select date format	Select date display options

3.11 Touch screen calibration

Performs the touch panel calibration.

3.12 About Device

Displays device information.

4. Using MicroSD card

In order to safely remove the storage card from the device go to Settings → SD card & device storage. Choose 'Unmount MicroSD card' for safe removal of the card.

The toolbar will display *MicroSD card safe to remove* when this option is chosen. Please wait 3 seconds before removing the card.

Once the MicroSD card is removed, the toolbar will display *Removed MicroSD card*.

Re-inserting the MicroSD card will show *Preparing MicroSD card* on the toolbar status.

Removing MicroSD card without first unmounting will give the following message *MicroSD card unexpectedly removed* on the toolbar.

IMPORTANT Any unexpected removal may cause the MicroSD card operation to fail. You will have to reboot the device in order for the MicroSD card slot to work again. Removing the MicroSD card without unmounting may damage the card.

Please also refer to 3.7 *MicroSD card & device storage*.

5. Using HDMI

User may use HDMI output when playing videos. When the tablet is playing video through the default player, connect the HDMI cable as necessary. Press the Menu button on the back of the tablet to project the video onto the desired screen.

6. Troubleshooting

6.1 I cannot connect to Internet using Manual Setup.

Ans: Ensure you have used *Menu* → *Save* when exiting the advanced settings page.

6.2 I can see my access point, but I cannot connect to Internet.

Ans: If your access point (AP) supports multiple access points at a time, you have to connect the device using WPA encryption and not WEP. Please refer to your access point device manual for setup details.

6.3 My MicroSD card is not being detected and shows *damaged SD card*.

Ans: Please re-insert the MicroSD card and try again. If it fails, please power-off the device and power-on again with MicroSD card already inserted. Please make sure you have removed the MicroSD card in the proper procedure as described in part 4.

6.4 My system froze while installing / removing applications.

Ans: This may be caused by a memory handling error. Use Clear Cache option (See section 3.4) and Force Close icon in application manager before removing the software. If the system continues to freeze, please press reset on back of the device and power-on again.

6.5 My device freezes while powering-on.

Ans: This may be caused by a failure in reading the MicroSD card. Please press reset and power-on again. Also, please ensure that the card is fully inserted.